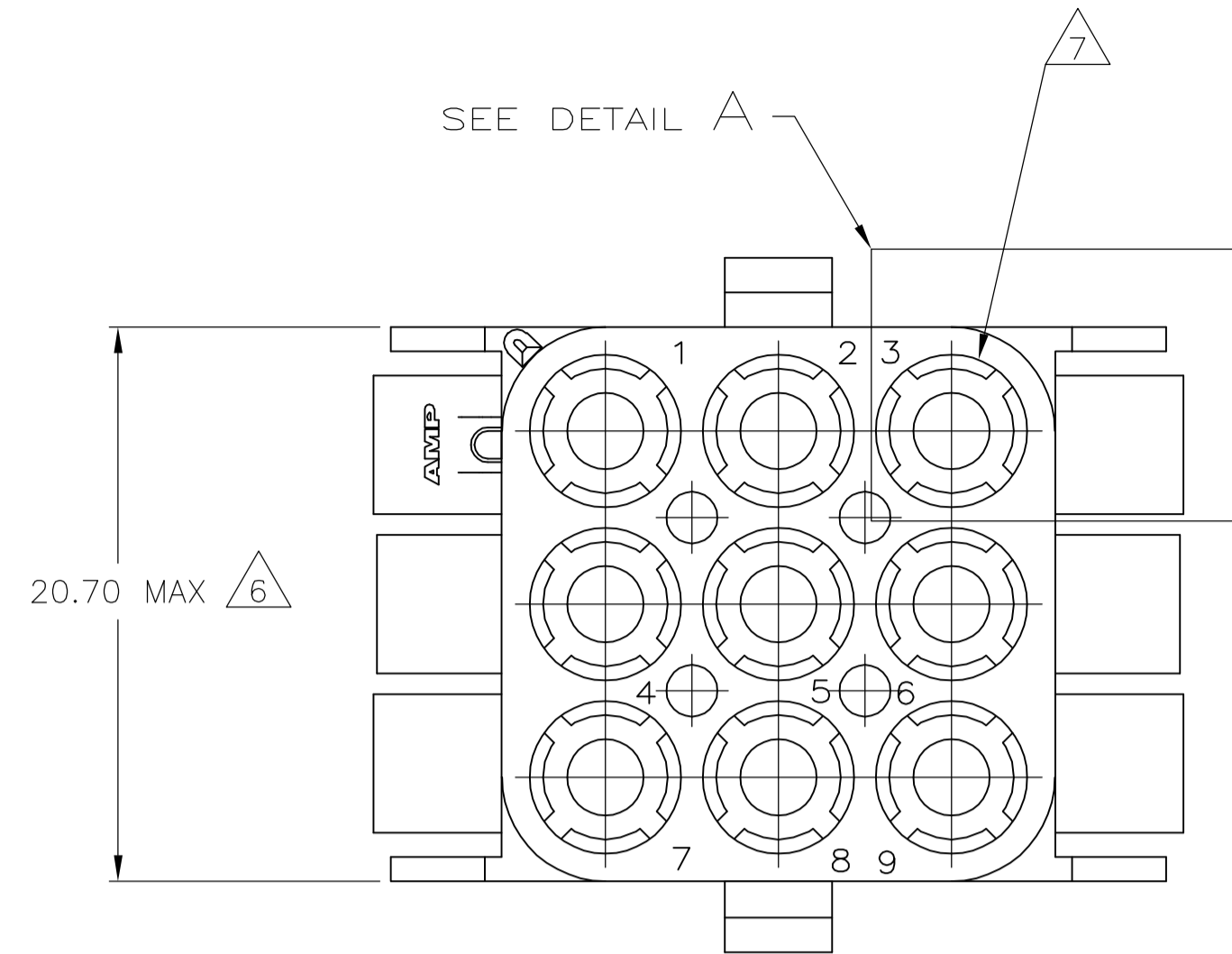
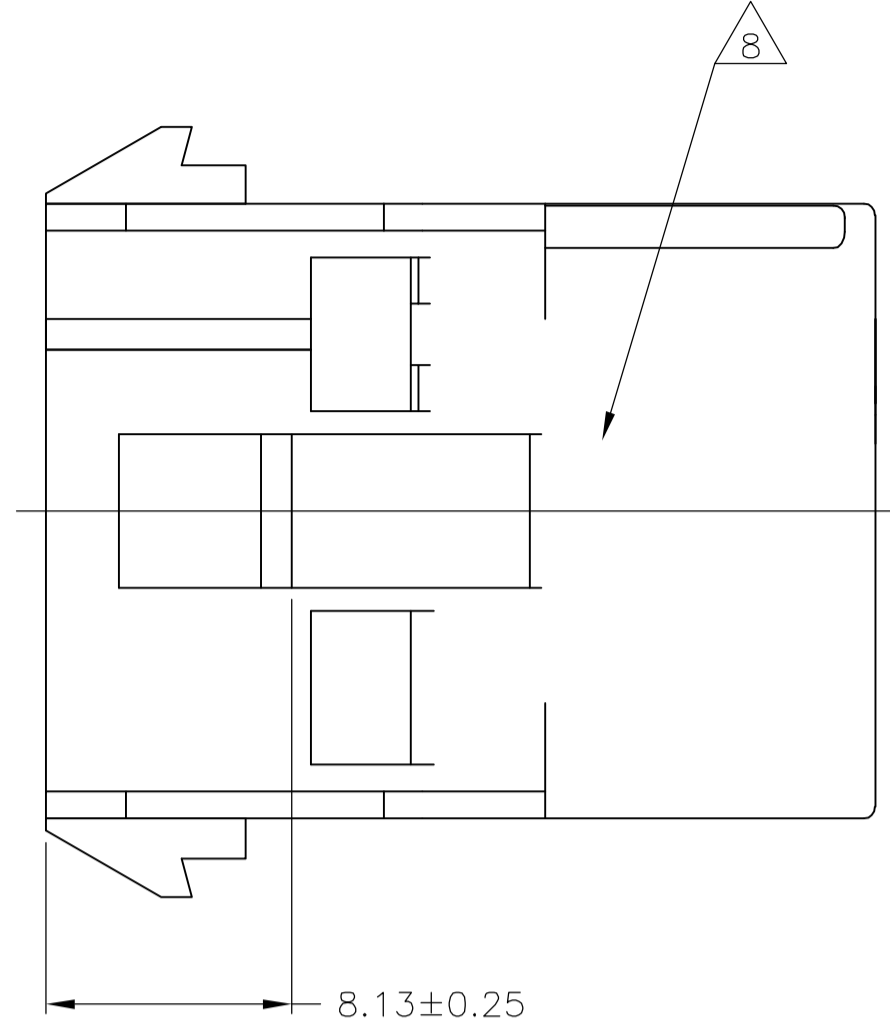
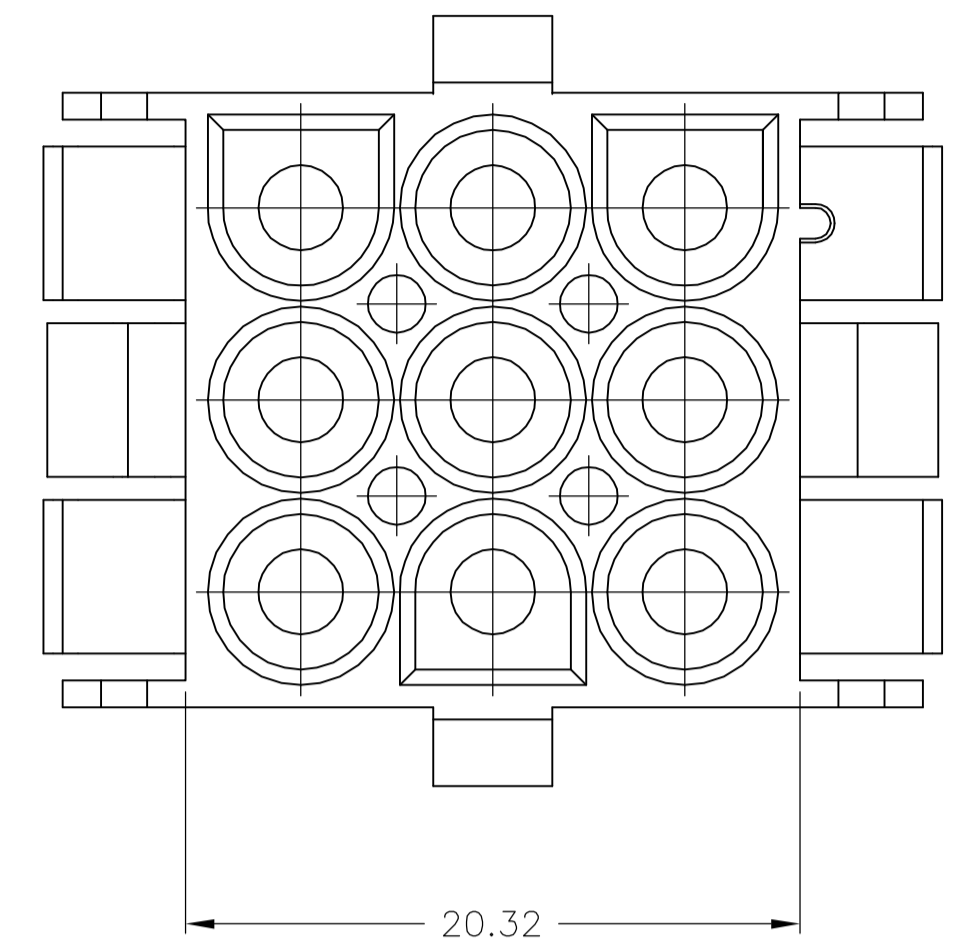
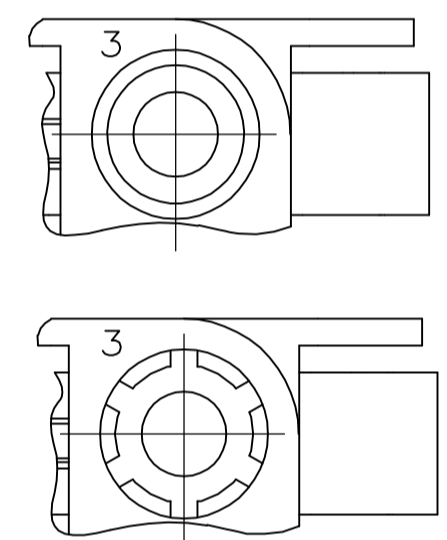


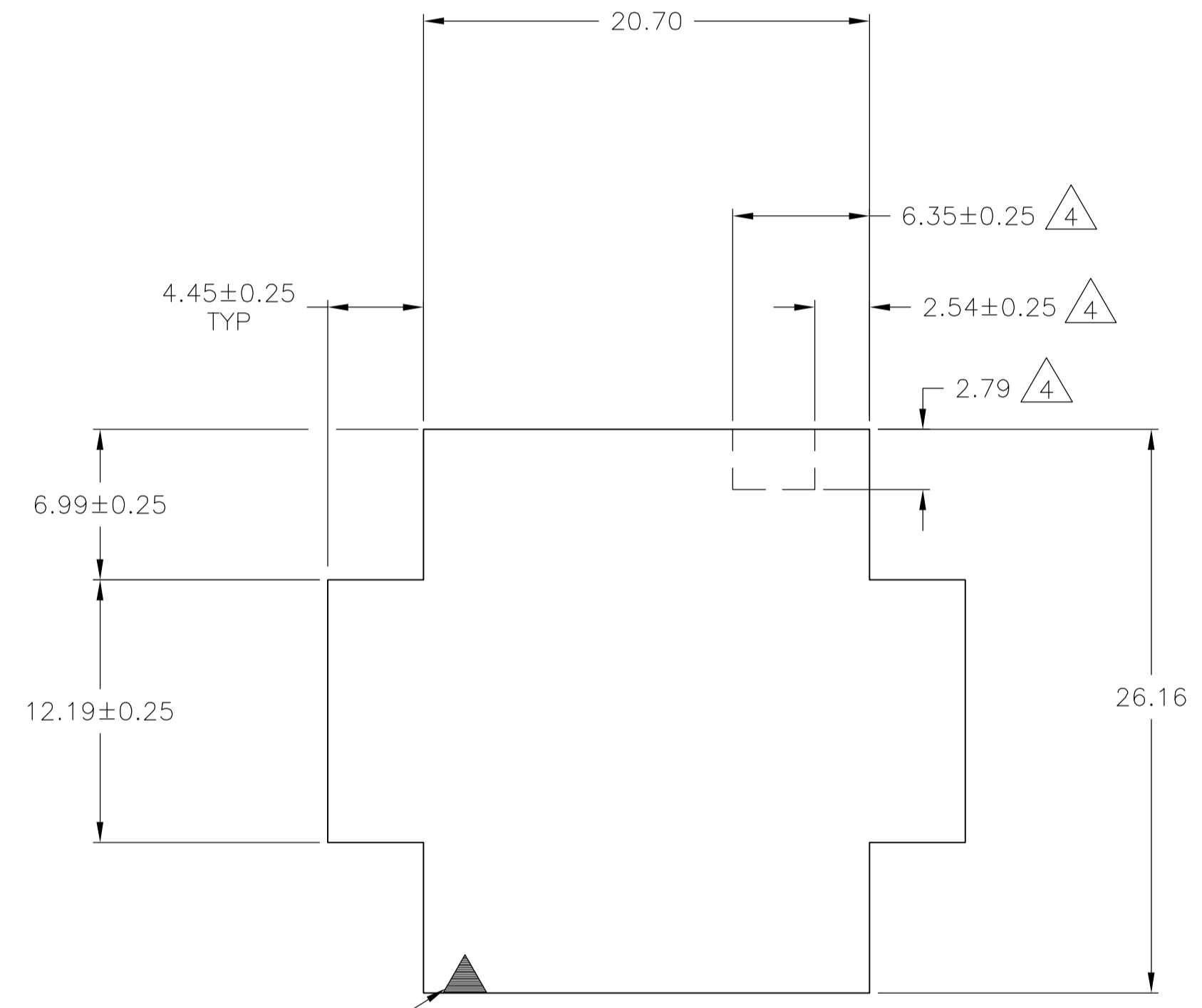
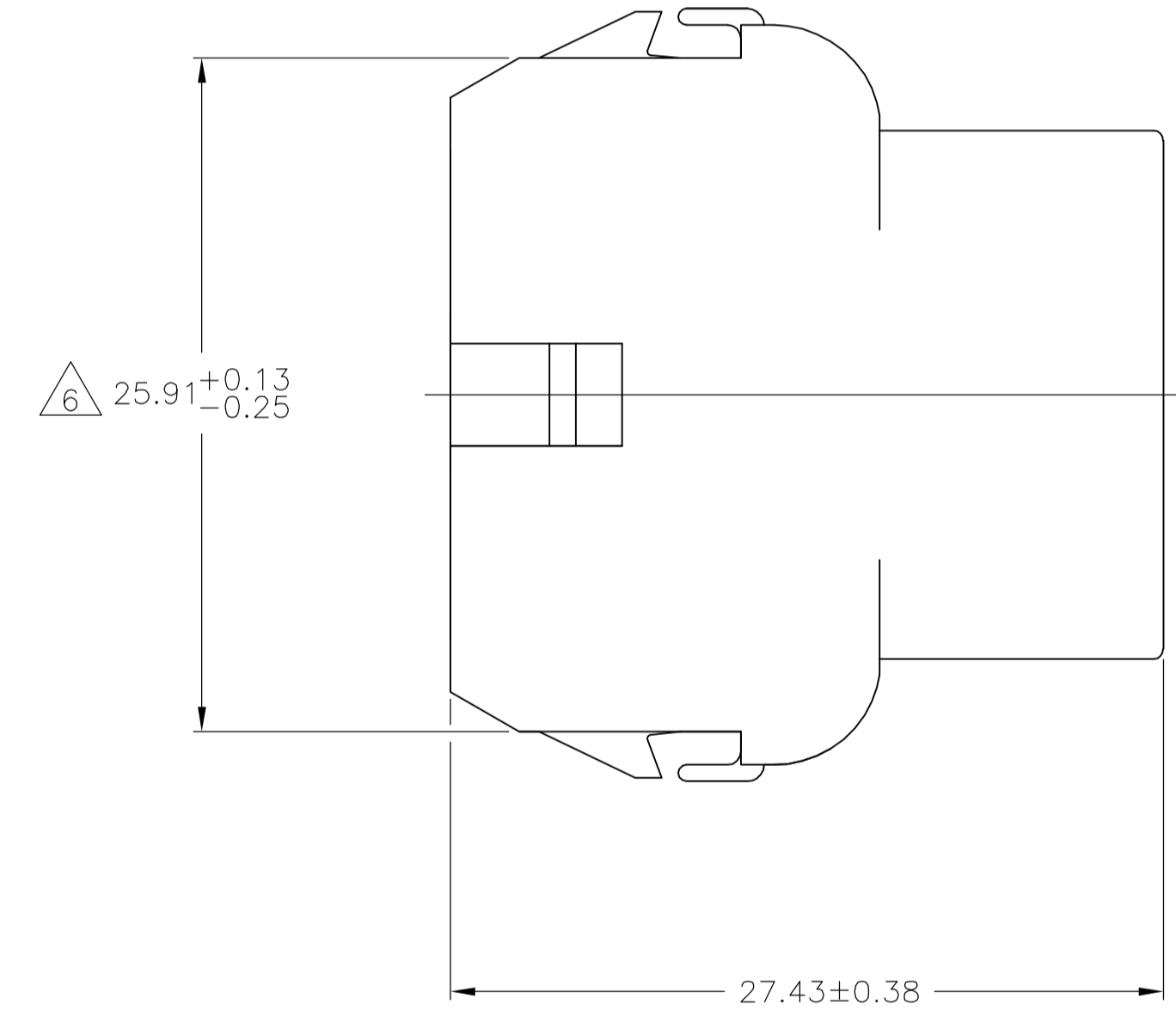
LOC		DIST		REVISIONS			
REV	DATE	DESCRIPTION	DATE	BY	APP'D		
V2	22AUG06	ECO-06-018902		BSV	GSR		



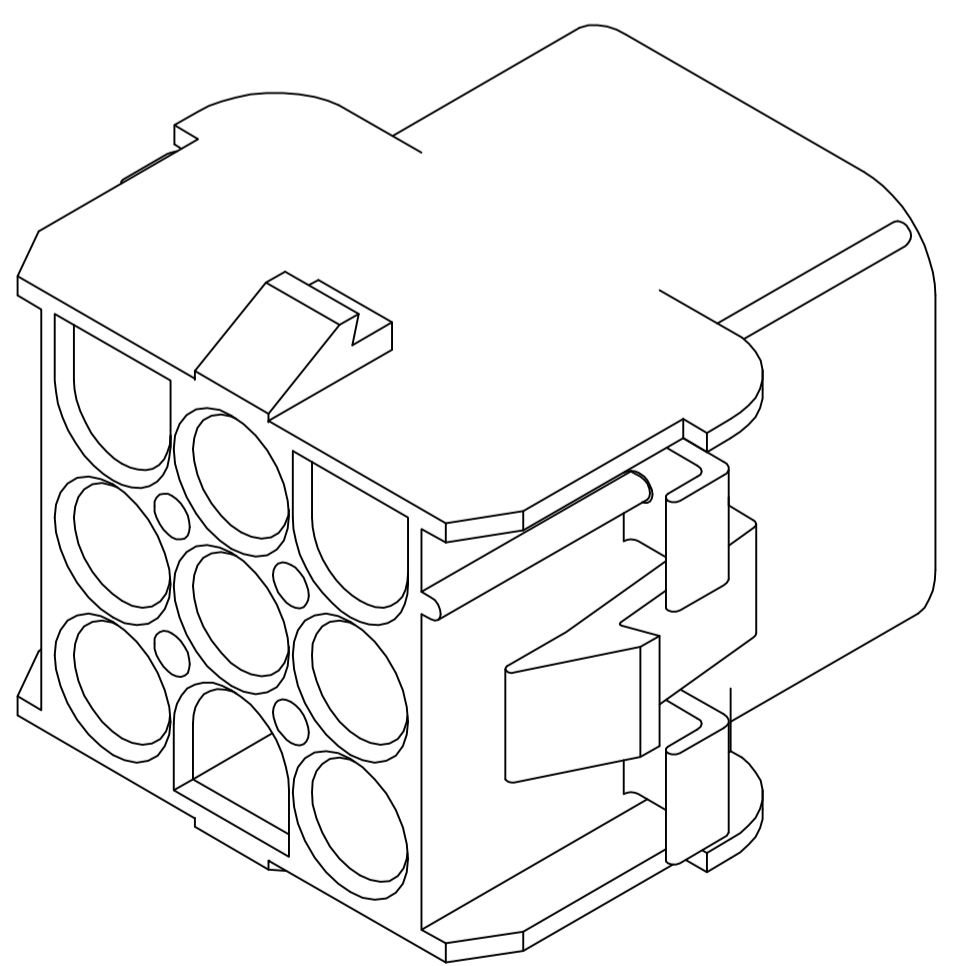
1. MATES WITH APPROPRIATE UNIVERSAL MATE-N-LOK™ PLUG.
2. RECOMMENDED PANEL THICKNESS 0.76 - 2.29.
3. PANEL MUST BE PUNCHED SO THAT THE HOUSING ENTERS THE PANEL IN THE SAME DIRECTION AS THE PUNCH.
4. OPTIONAL FOR KEYING HOUSING IN PANEL.
5. CIRCUIT NUMBER 1 LOCATION.
6. DIMENSION REPRESENTS POTENTIAL MAXIMUM GROWTH DUE TO MOISTURE ABSORPTION.
7. FOUR RIBS EQUALLY SPACED, NO SPECIFIC ORIENTATION. NO RIBS OR SIX RIBS EQUALLY SPACED, NO SPECIFIC ORIENTATION, OPTIONAL.
8. UNDERWRITERS RECOGNIZED COMPONENT LOGO AND CSA CERTIFICATION LOGO TO BE LOCATED ONCE EACH ON SIDE OF HOUSING.



DETAIL A  
OPTIONAL CONSTRUCTIONS



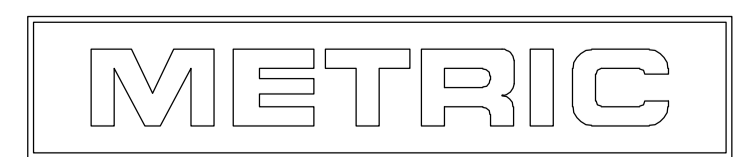
RECOMMENDED PANEL CUT OUT



3-DIMENSIONAL MODEL  
NTS

6.35	.250	-	-
4.45	.175	27.43	1.080
2.79	.110	26.16	1.030
2.54	.100	25.91	1.020
2.29	.090	20.70	.815
0.76	.030	20.32	.800
0.38	.015	12.19	.480
0.25	.010	8.13	.320
0.13	.005	6.99	.275
MM	IN	MM	IN

CONVERSION TABLE



BLACK	1-350782-9
GRAY	1-350782-8
BLUE	1-350782-6
GREEN	1-350782-5
YELLOW	1-350782-4
ORANGE	1-350782-3
RED	1-350782-2
BROWN	1-350782-1
NATURAL	350782-1
COLOR	PART NO.

THIS DRAWING IS A CONTROLLED DOCUMENT.

DIMENSIONS:	TOLERANCES UNLESS OTHERWISE SPECIFIED:	DWG	K. WHITAKER	17JUN92		Tyco Electronics Corporation Harrisburg, Pa 17105-3608	
mm	0.130 ± .010 0.254 ± .020 0.508 ± .040 1.27 ± .100 ANGLES ± 1°	CHK	R. SWING	17JUN92			
MATERIAL	NYLON,UL 94V-0	APP'D	D. SELF	17JUN92	NAME	CAP,9 CIRCUIT, UNIVERSAL MATE-N-LOK(TM)	
FINISH	-	APPLICATION SPEC	-	-	SIZE	A1	
WEIGHT	-	RESTRICTED TO	-	-	CAGE CODE	00779	
CUSTOMER DRAWING	-	SCALE	4:1	SHEET	1 of 1	REV	V2